

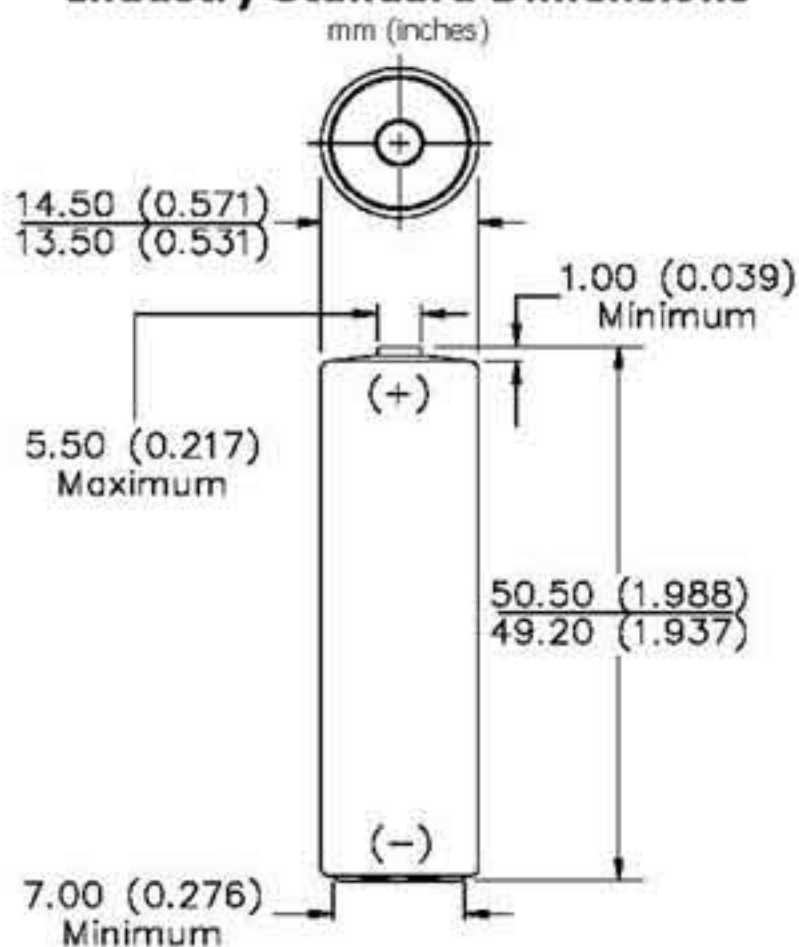
Eveready 1215

AA

SUPER HEAVY DUTY



Industry Standard Dimensions



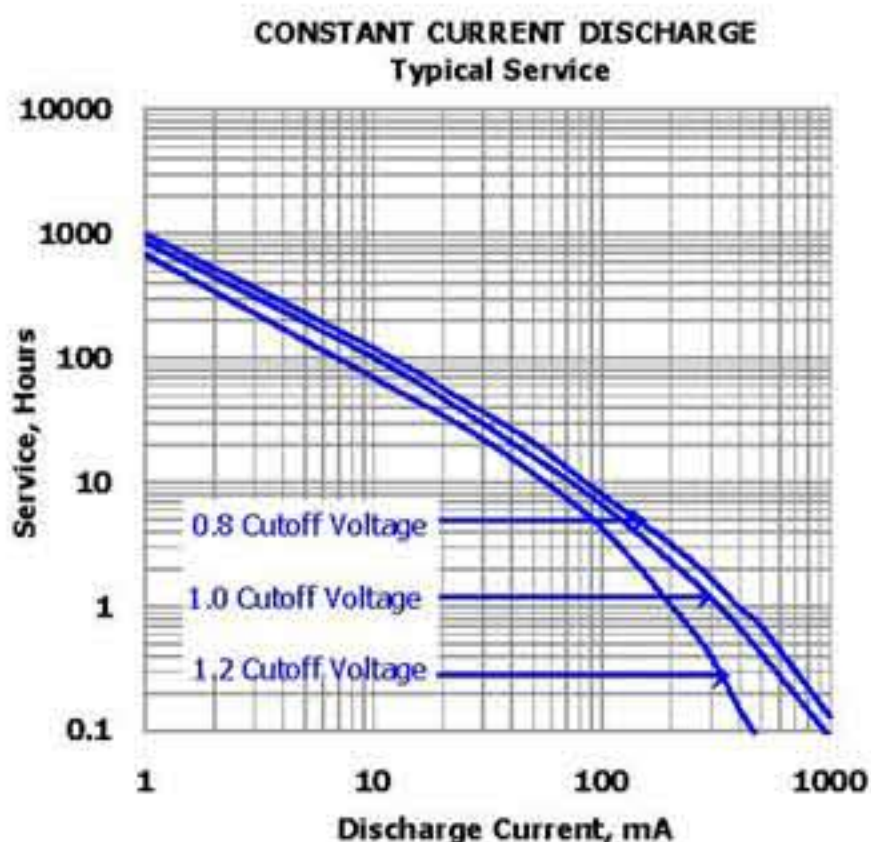
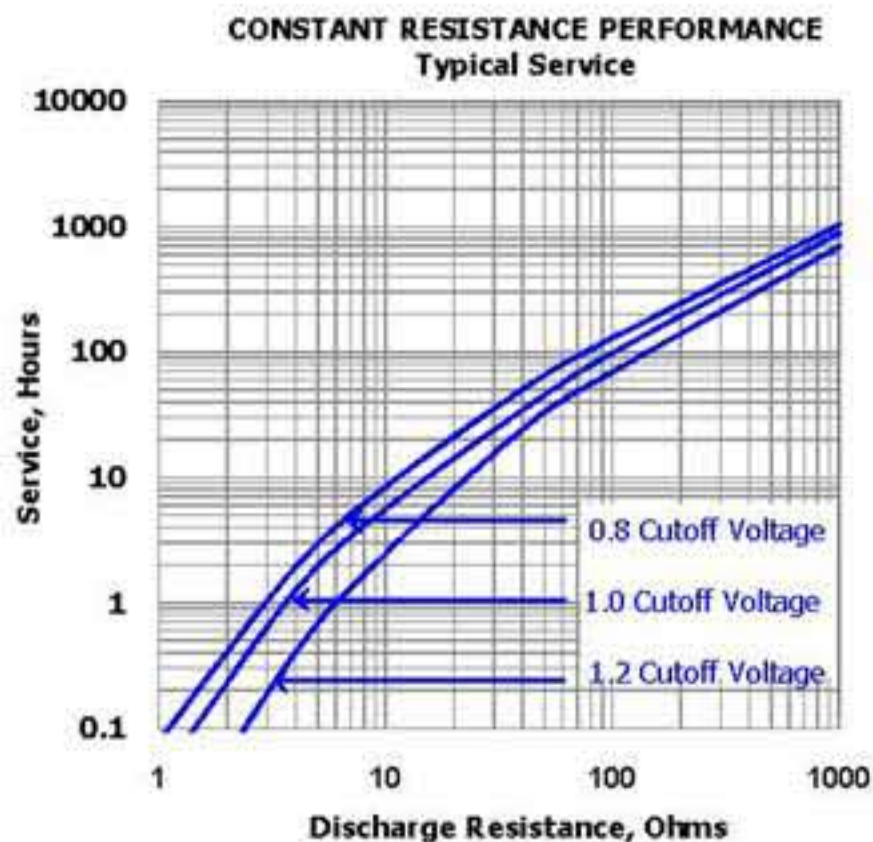
- Chemical System:** Zinc-Manganese Dioxide (Zn/MnO₂)
(No Added Mercury or Cadmium)
- Designation:** ANSI-15D, IEC-R6
- Battery Voltage:** 1.5 Volts
- Operating Temp:** -18°C to 55°C (0°F to 130°F)
- Average Weight:** 15.0 grams (0.5 oz.)
- Volume:** 8.0 cubic centimeters (0.5 cubic inch)
- Average Capacity:** 1,100 mAh to 0.8 volts
(Rated capacity at 25 mA continuous at 21°C)
- Cell:** One No. 15 (size "AA")
- Jacket:** Metal

INTERNAL RESISTANCE VS. TEMPERATURE

The measurement is an approximation of the battery's actual internal resistance. It is sensitive to the loads and operator technique.

Schedule: Background Load 750 ohms
Pulse Load 4.0 ohms
Pulse Duration 1 second

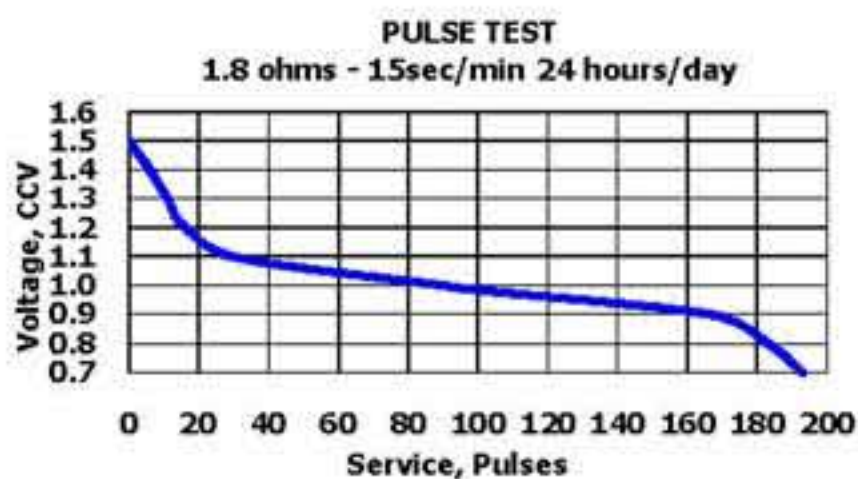
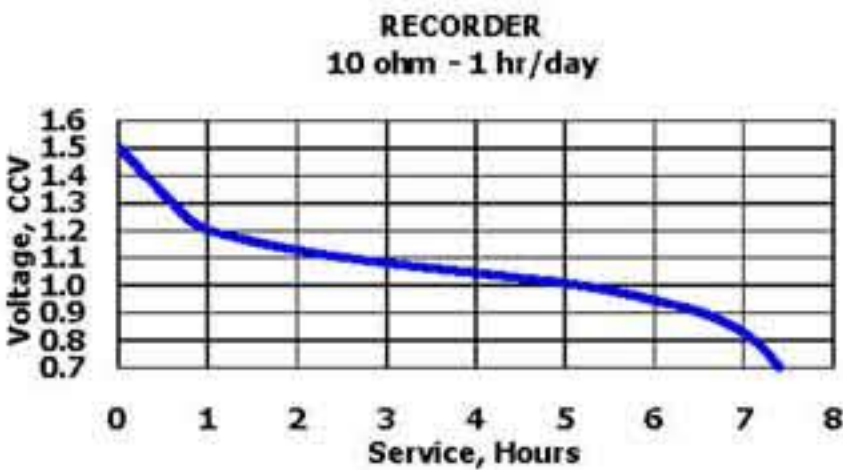
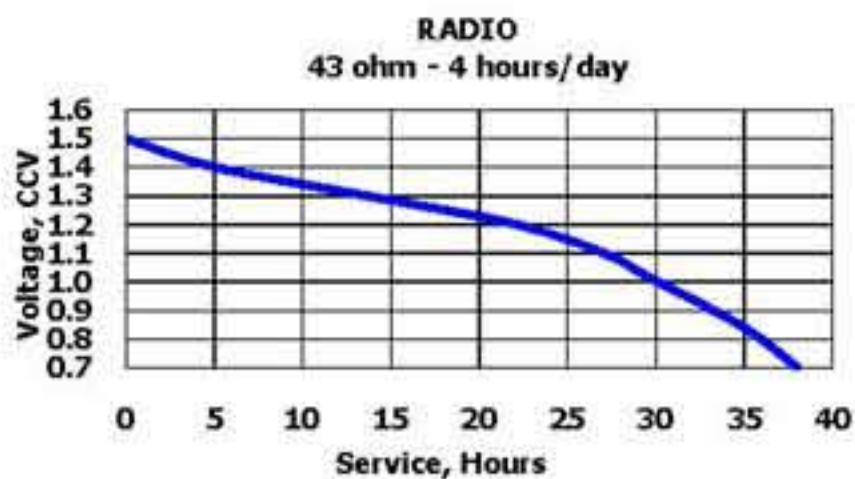
Temperature	Typical Ri (ohms)
45°C (113°F)	0.4
21°C (70°F)	0.5
0°C (32°F)	0.8
-21°C (-4°F)	5.0



Important Notice

This data sheet contains information specific to batteries manufactured at the time of its publication.
Contents herein do not constitute a warranty.
Copyright © Eveready Battery Co. - All rights reserved.

Industry Standard Tests (21° C)



BRAND

COMPANY INC.

1-800-972-2852

Call the Brand Company Sales Team for pricing on this and other battery and lighting products.

Eveready 1250

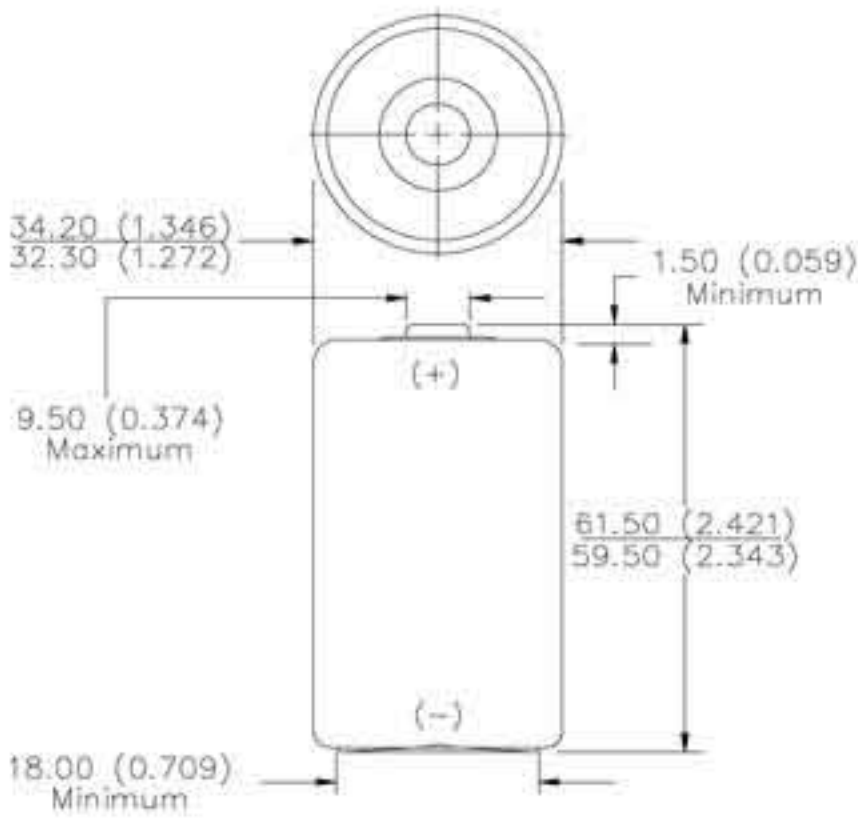


D

SUPER HEAVY DUTY

Industry Standard Dimensions

mm (inches)



Chemical System: Zinc-Manganese Dioxide (Zn/MnO₂)
(No Added Mercury or Cadmium)

Designation: ANSI-13D, IEC-R20

Battery Voltage: 1.5 Volts

Operating Temp: -18°C to 55°C (0°F to 130°F)

Average Weight: 89.0 grams (3.1 oz.)

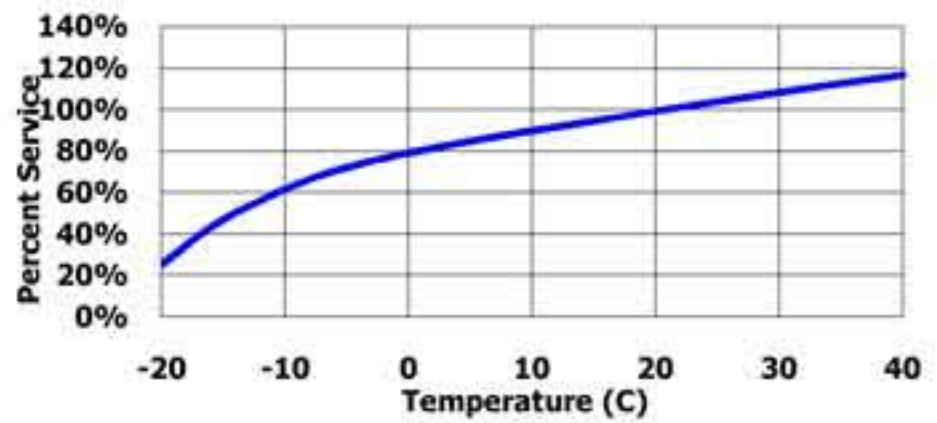
Volume: 53 cubic centimeters (3.2 cubic inch)

Average Capacity: 8,000 mAh to 0.8 volts
(Rated at 25 mA continuous at 21°C)

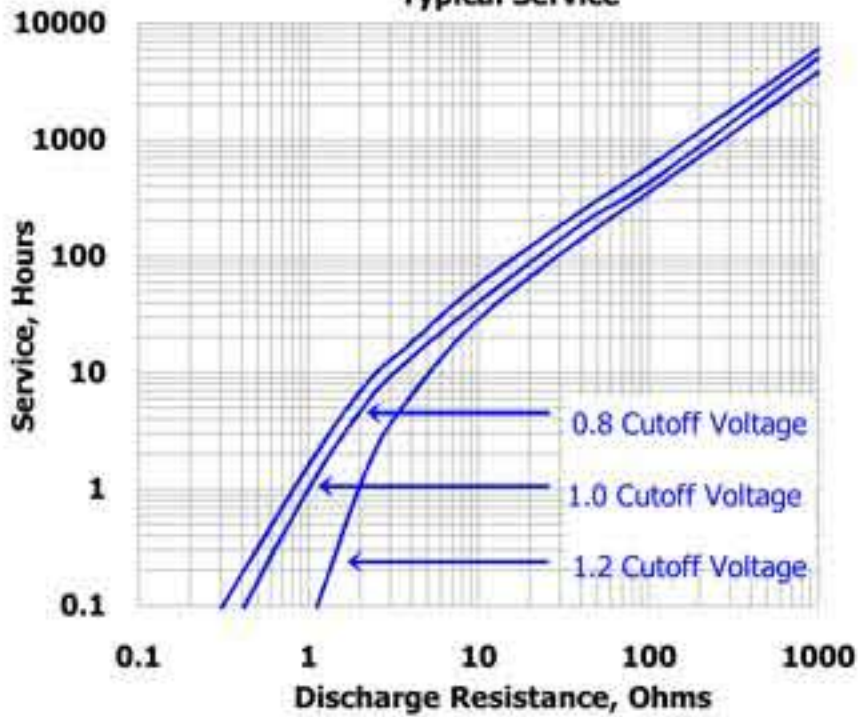
Cell: One No. 50 (size "D")

Jacket: Metal

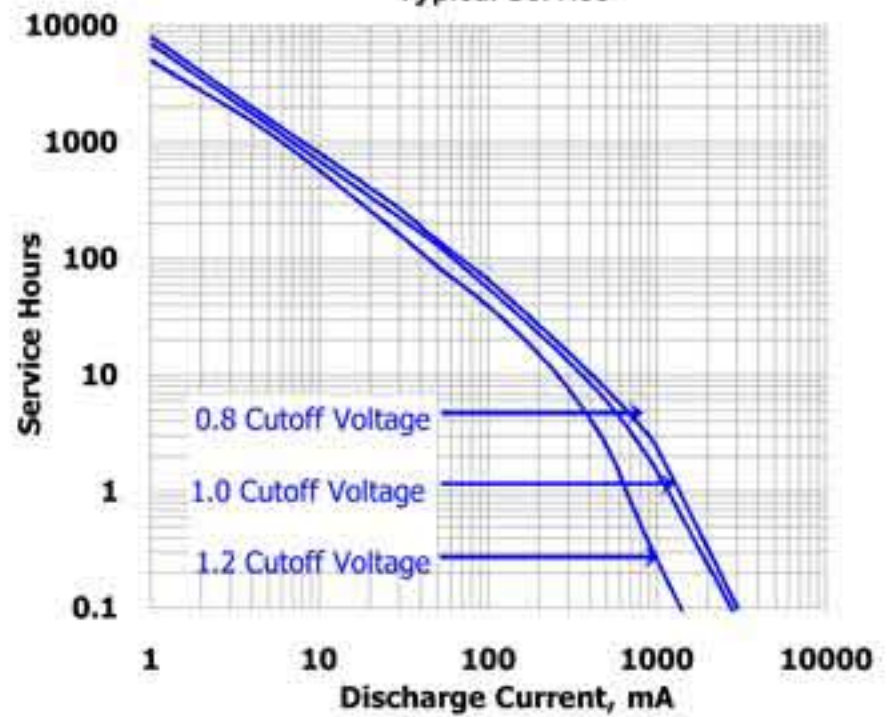
TYPICAL PERCENT SERVICE 3.9 ohm - 4 hours/day to 0.75 volts



CONSTANT RESISTANCE PERFORMANCE Typical Service



CONSTANT CURRENT DISCHARGE Typical Service



Important Notice

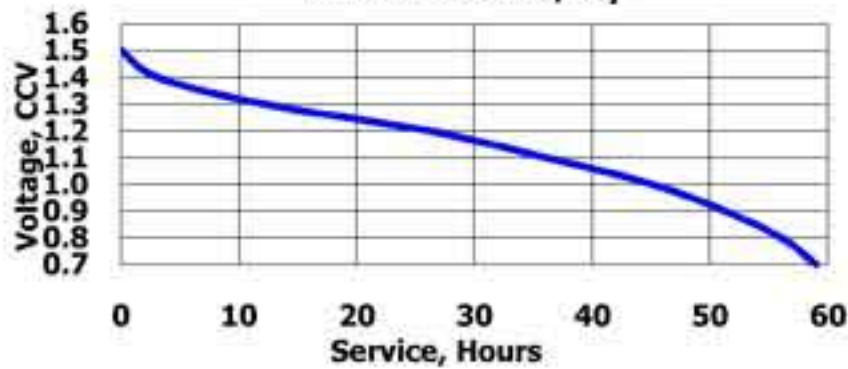
This data sheet contains information specific to batteries manufactured at the time of its publication.

Contents herein do not constitute a warranty.

Copyright © Eveready Battery Co. - All rights reserved

Industry Standard Tests (21° C)

RADIO 10 ohm - 4 hours/day



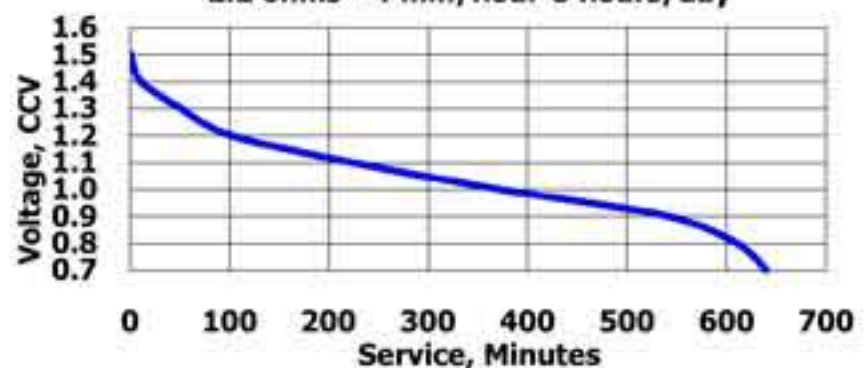
PORTABLE STEREO 3.9 ohm - 1 hr/day



TOY 2.2 ohm - 1 hr/day



PORTABLE LIGHT 2.2 ohms - 4 min/hour 8 hours/day



BRAND

COMPANY INC.

1-800-972-2852

Call the Brand Company Sales Team for pricing on this and other battery and lighting products.

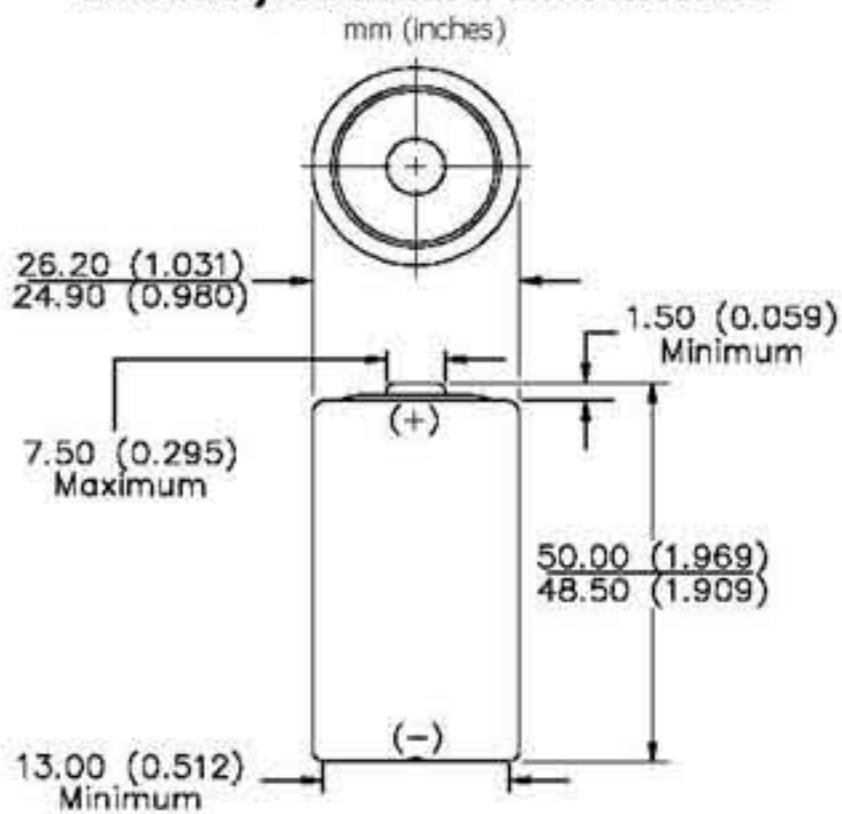
EVEREADY 1235

C

SUPER HEAVY DUTY



Industry Standard Dimensions



Chemical System: Zinc-Manganese Dioxide (Zn/MnO₂)
(No Added Mercury or Cadmium)

Designation: ANSI-14D, IEC-R14

Battery Voltage: 1.5 Volts

Operating Temp: -18°C to 55°C (0°F to 130°F)

Average Weight: 45.0 grams (1.6 oz.)

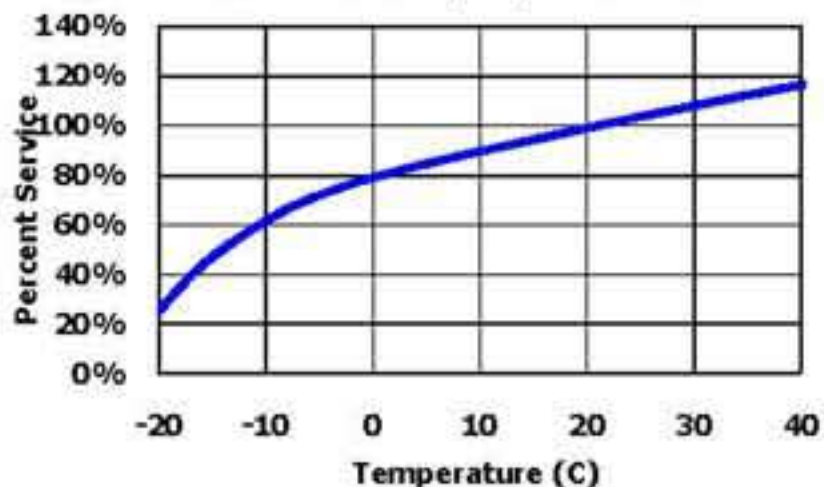
Volume: 25 cubic centimeters (1.5 cubic inch)

Average Capacity: 3800 mAh to 0.8 volts
(Rated at 25 mA continuous at 21°C)

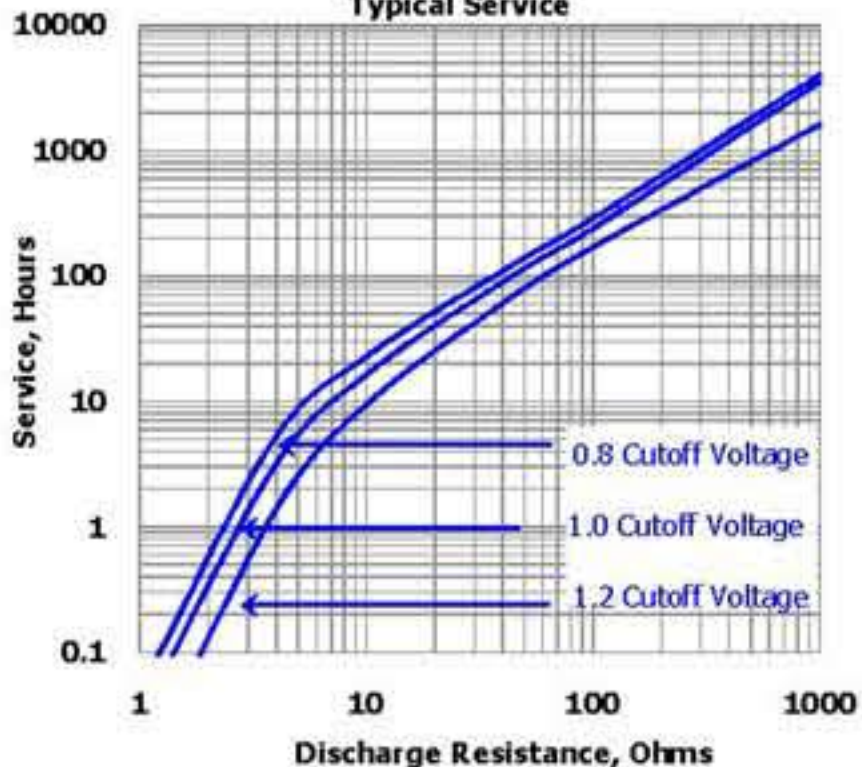
Cell: One No. 35 (size "C")

Jacket: Metal

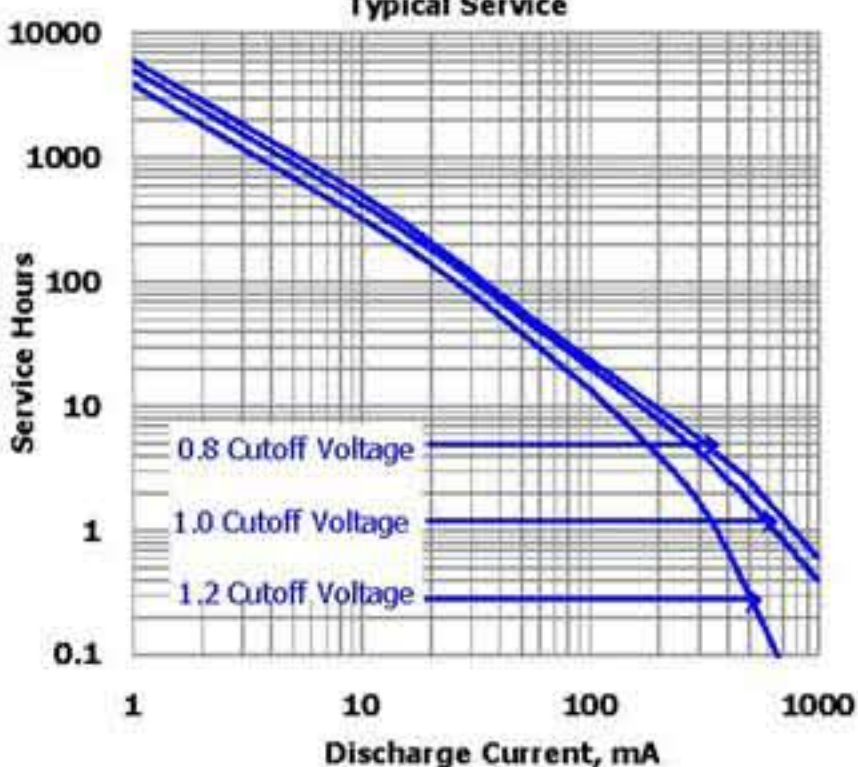
TYPICAL TEMPERATURE EFFECT 3.9 ohm - 4 hours/day to 0.75 volts



CONSTANT RESISTANCE PERFORMANCE Typical Service



CONSTANT CURRENT DISCHARGE Typical Service



Important Notice

This data sheet contains information specific to batteries manufactured at the time of its publication.
Contents herein do not constitute a warranty.
Copyright © Eveready Battery Co. - All rights reserved

Industry Standard Tests (21° C)

RADIO 20 ohm - 4 hours/day



PORTABLE STEREO 6.8 ohm - 1 hr/day



TOY 3.9 ohm - 1 hr/day



PORTABLE LIGHT 3.9 ohms - 4 min/hour 8 hours/day

